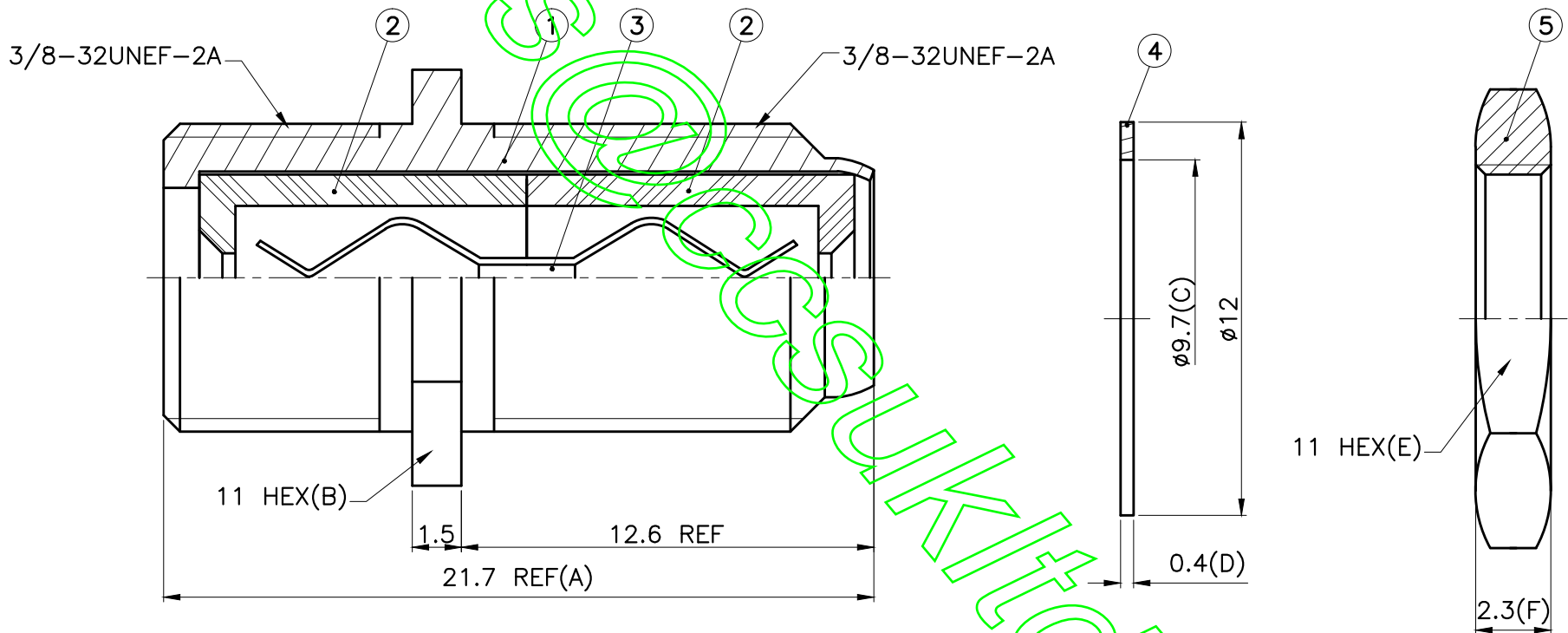


REVISIONS	
ISS	DESCRIPTION \ DATE

RoHS COMPLIANT



TITLE: F DOUBLE FEMALE BULKHEAD

PART NO: FBJA75

DRAWING NO:

APRD:	UNLESS OTHERWISE SPECIFIED TOLERANCES 0.5-6 = ±0.2 >6-30 = ±0.4 >30-120 = ±0.6 >120-315 = ±1 >315-1000 = ±1.6 ANGLES = ±5°					
CHKD:		5	NUT	STEEL	NICKEL	KA/2005/10527 \ KA/2005/60362
DR:		4	WASHER	STEEL	NICKEL	KA/2005/10527 \ KA/2005/60362
DATE: 02/11/10"	UNIT: mm	3	CONTACT PIN	BRASS	TIN	KA/2005/10527 \ CE/2005/41032
		2	INSULATOR	P.P.	NATURAL	KA/2005/51355
		1	BODY	ZINC ALLOY	NICKEL	KA/2005/10528 \ KA/2005/60362
		NO.	DESCRIPTION	MATERIAL	FINISH	SGS REPORT NO